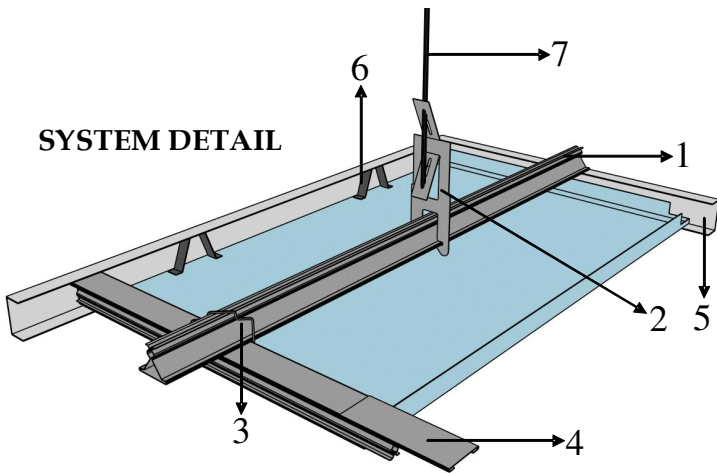
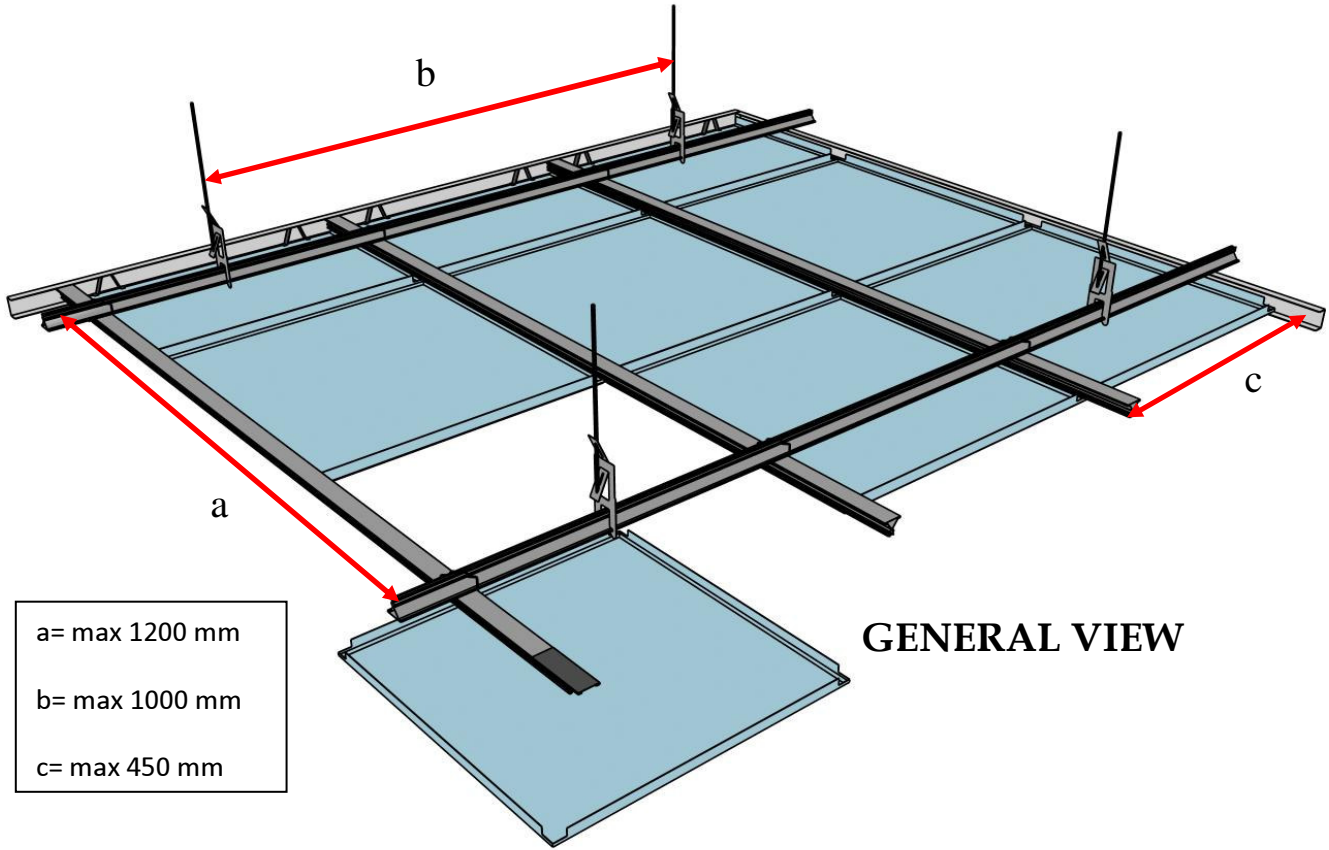


## CLIP-IN STANDART SYSTEM



PROFILE/ACCESSORY	PRODUCT CODE
Clip-in profile(1)	CLPN400
Clip-in Hanger Clip(2)	CLM 35
Coupling Clip(3)	AH209
Clip-in profile splice(4)	AH37
C – Wall Angle(5)	CDPR300
Wedge Clip(6)	KT-40
Hanger Wire(7)	DST-01
Steel Anchor	TP-02